

LUX C10



OPTION TO CONNECT IN SERIES
TO A SINGLE POWER SOURCE



VERTICAL TELESCOPIC MAST
7 m MAX HEIGHT
LIFETIME WARRANTY



180° MANUAL FLOODLIGHTS TILTING
360° ADJUSTABLE FLOODLIGHTS
350° MAST ROTATION



TWILIGHT SENSOR SUPPLIED
DIGITAL TIMER



4X150 W LED LAMPS
2400 m² ILLUMINATED AREA
GUARANTEED 50.000 hrs



OUTLET SOCKET: 16 A - 230 V
INLET PLUG: 16 A - 230 V



GALVANIZED METAL BODY
80 µm POWDER COATING



SERIES



MADE IN
ITALY



LUXTOWER 
lighting towers

LUX C10

TECHNICAL SHEET

ROUGH DIMENSIONS & WEIGHT

Dimensions min.	mm	1170 X 800 X 2350
Dimensions max.	mm	2030 X 1340 X 7000
Total weight without fuel	Kg	320

FEATURES

Rotation		350°
Floodlight	W	4 X 150
Lamps		LED
Wind stability	Km/h	110
Inlet plug		16 - 230
Outlet socket		16 - 230
Options		Astronomic counter

 NO CARBON EMISSIONS

 NO MAINTENANCE

 NO NOISE EMISSIONS

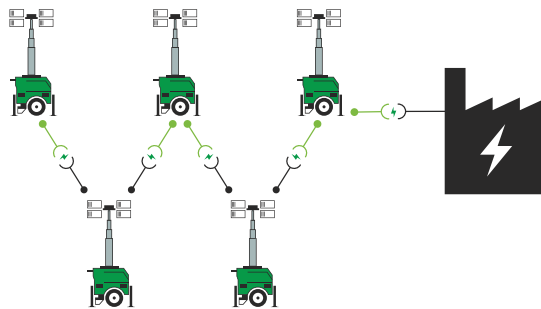
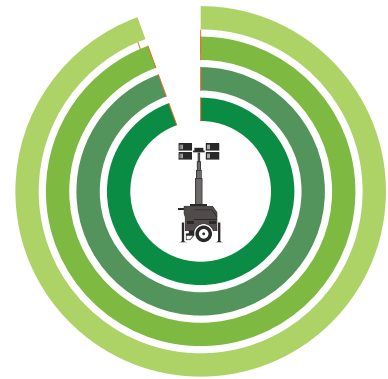
 NO FUEL COST

 5 LUX MIN.

ILLUMINATED AREA

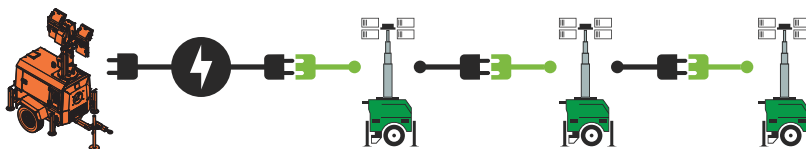
2400 m²

-  5 m range
-  10 m range
-  20 m range
-  30 m range

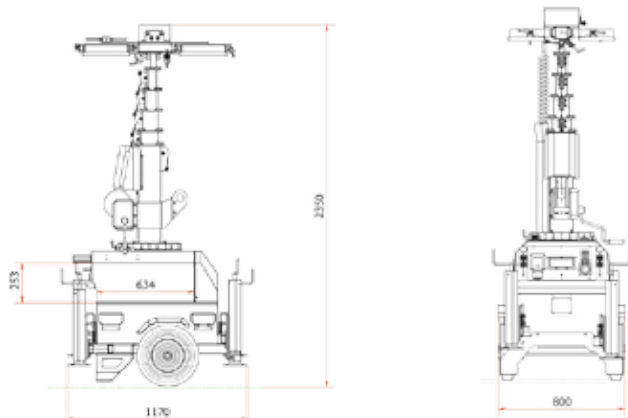


UP TO 5 LUX C10 CAN BE CONNECTED IN SERIES TO AN EXTERNAL SOURCE SUCH AS MAIN ELECTRICITY OR GENERATOR

*according with rated output and electric specs



3 LUX C10 CAN BE CONNECTED IN SERIES TO A TOWER WITH 8 KVA GENERATOR SET



33 units per truck



LUXTOWER
lighting towers